

## OPTIMISED PATENT DRAFTING WORKFLOW

In today's fast-paced world, patent attorneys need a reliable, efficient solution to meet the increasing demands of patent drafting. Redigendis offers a comprehensive, online secured tool that transforms the way European patent applications are written.

### Guided Process

Redigendis walks you through a step-by-step process, ensuring every aspect of the application is drafted with precision and clarity.

### Time-Saving Efficiency

With our intuitive features, you can reduce the time spent on repetitive tasks, allowing more focus on high-value work, such as client interaction and strategic planning.

### Quality Assurance

Our tool maintains the highest standards of quality, providing a structured environment that mirrors the attention required in European patent applications.

All rights reserved - Redigendis B.V.

s-Gravelandseweg 7, 1211 BN,  
Hilversum, The Netherlands

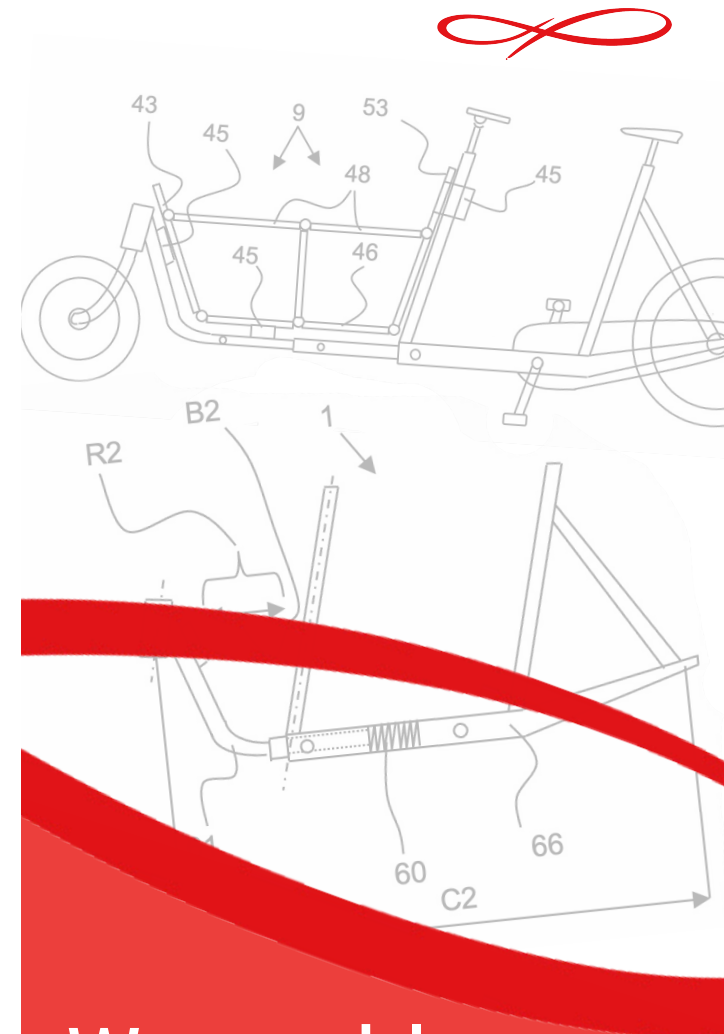
# REDIGENDIS

*The magic is in the writing*



Contact your Redigentative at  
[sales@redigendis.com](mailto:sales@redigendis.com)

Visit [redigendis.com](https://redigendis.com) for  
more information



We enable a  
convenient  
patent drafting  
experience

## We assist patent attorneys

### The complexity of European patent applications

Drafting European patent applications is a well-known, intricate process. With over 4 million European patent applications filed, patent attorneys are tasked with crafting clear, concise claims while ensuring the invention is thoroughly described. This challenge is not only time-consuming but also requires immense focus to get right the first time, as quality is paramount.

### The pressure on attorneys

The intense focus required for drafting patent applications can take time away from other critical activities—whether it's spending time with clients, like guiding start-ups, or even drafting more applications to increase revenue. It often forces attorneys to make tough choices about how to spend their limited hours.



# THE REDIGENDIS SOLUTION

### Structured and guided

Redigendis provides a step-by-step approach, helping you draft applications with precision and clarity.

### Quality control assured

To achieve the highest quality, Redigendis provides smart checks on grammar, consistency, clarity, and reference numbering of parts described in the description and figures.

### Secure and reliable

Redigendis prioritises security and reliability. The tool operates safely within your browser and adheres to the highest quality standards, ensuring a secure environment for drafting your European patent applications.

# REDIGENDIS

*The magic is in the writing*



*The magic's in the writing*

## HOW DOES IT WORK?

### Empowering your expertise

You remain in full control of your patent draft. Redigendis acts as your assistant, allowing you to draft claim 1 manually while the system generates the dependent subclaims in an instant, based on your primary claim and figure descriptions. Every suggested subclaim is linked to its relevant section, making it easy for you to validate and adjust.

### Subclaim generator

Redigendis' one-click subclaim generation proposes options based on your content. You remain the decision-maker, with the ability to accept, edit, or discard each suggestion.

### Your expertise matters!

Redigendis respects the value of your expertise. While the tool accelerates your workflow, your knowledge and input is essential to drive the process from beginning to end. Redigendis never replaces the role of the European Patent Attorney, but aims to support you in this role instead.